

Museum Detective

Follow the clues on this detective trail to discover some fabulous museum objects. A magnifying glass will help you to see things really clearly.

Detective's name

Location: The National Museum Wales

You will need – A pencil A magnifying glass



The museum is full of special treasures. Here is something I found -

Inside a drawer

.....

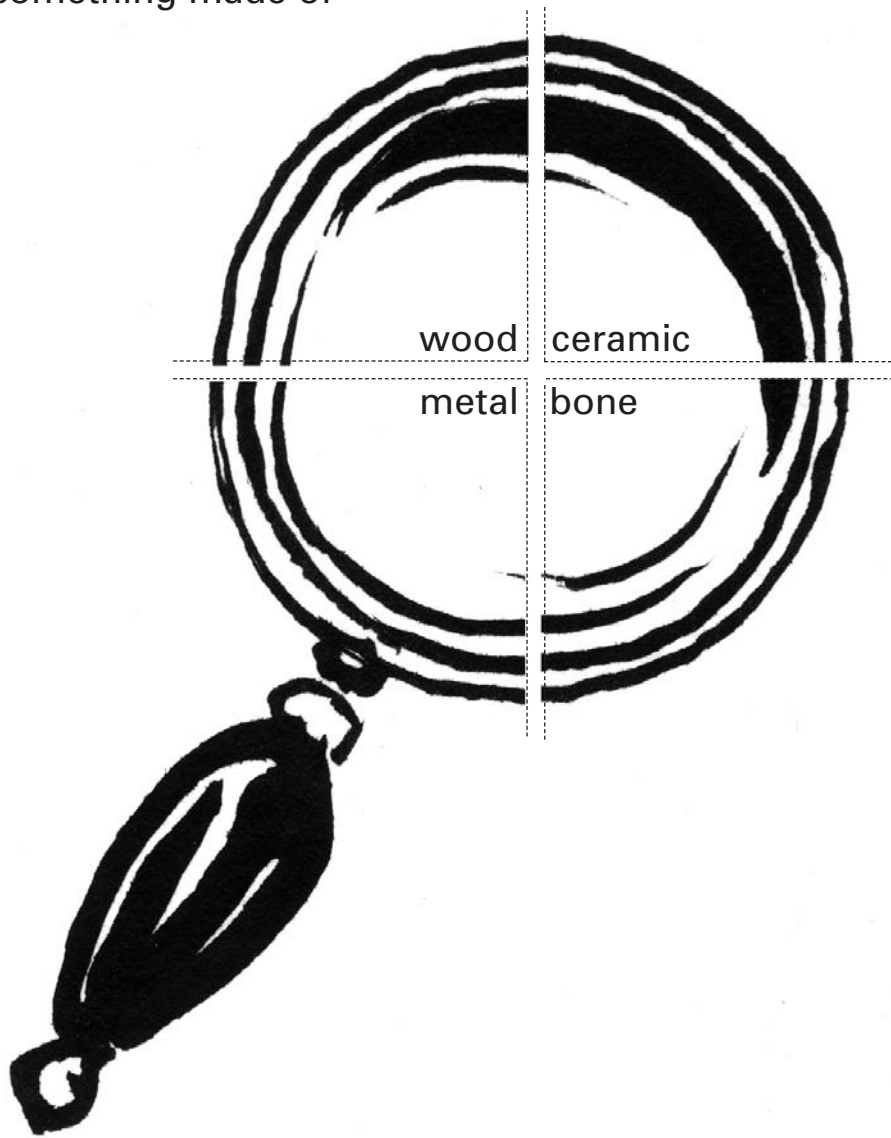
Somewhere high up

.....

On a wall

.....

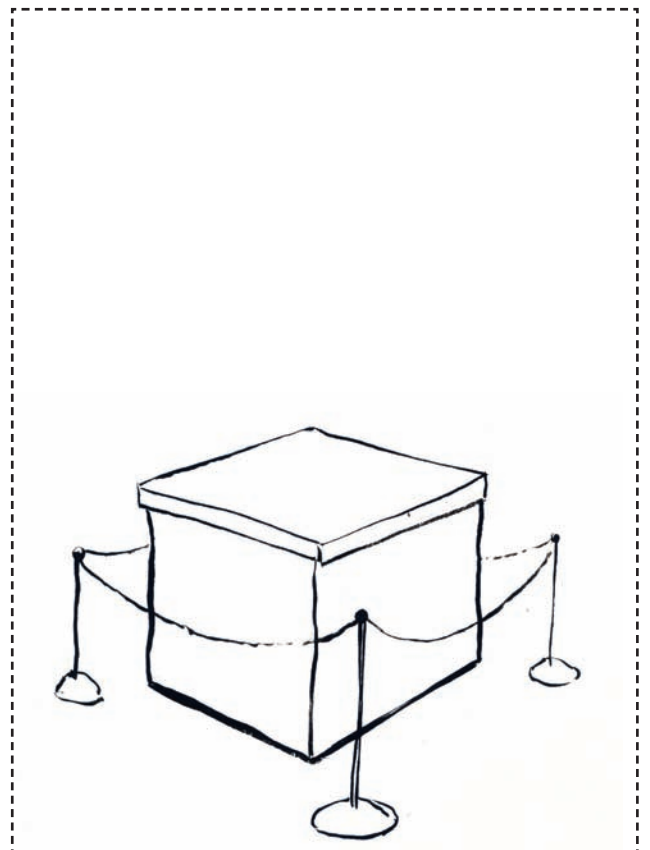
There are many things made from lots of different materials. Can you find something made of -



Find an object that matches these clues.....

Clue 1: Beautiful, big and patterned

Clue 2: Small, scary, low down



I've searched the whole museum and this is my favourite object: